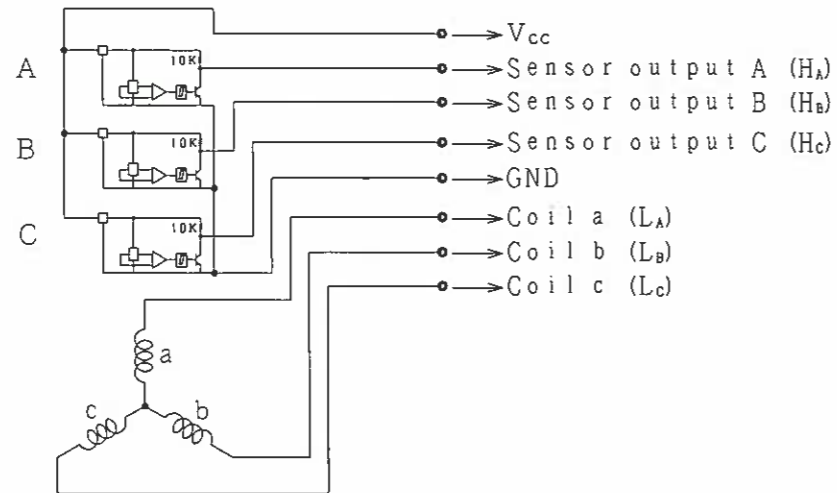

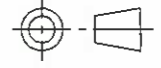


<Circuit diagram>



<Main Specifications>

1	Rated Voltage	160VDC
2	Rated Torque	0.7kg-cm
3	Rated speed	6000r. p. m.
4	Rating Current	0.5A max.
5	Stall Torque	(10kg-cm)
6	No Load speed	(6300r. p. m.)
7	No Load Current	(0.2A max.)
8	Operating Temp.	0℃ to 50℃
9	Storage Temp.	(-20° to 60℃)
10	Duty	continuous

REV No.	REVISIONS	DATE	CHARGE	CHECK	APPROVED	DIMENSIONAL TOLERANCES	APP. BY	 TSUKASA ELECTRIC CO., LTD. NAME OF PRODUCT TG-607 type plan2 PART NUMBER SCALE 1 : 1 	Reference
						PRODUCT	EXA. BY		
						0 MIN 120 MAX ±0.5	CHK. BY		
						120 OVER 400 MAX ±1	DES. BY		
						400 OVER 1000 MAX ±2	DWN. BY		
A	NEW DRAFTING	2008. 03. 18				ANGLE ±1'	<i>E. Saito</i>		